

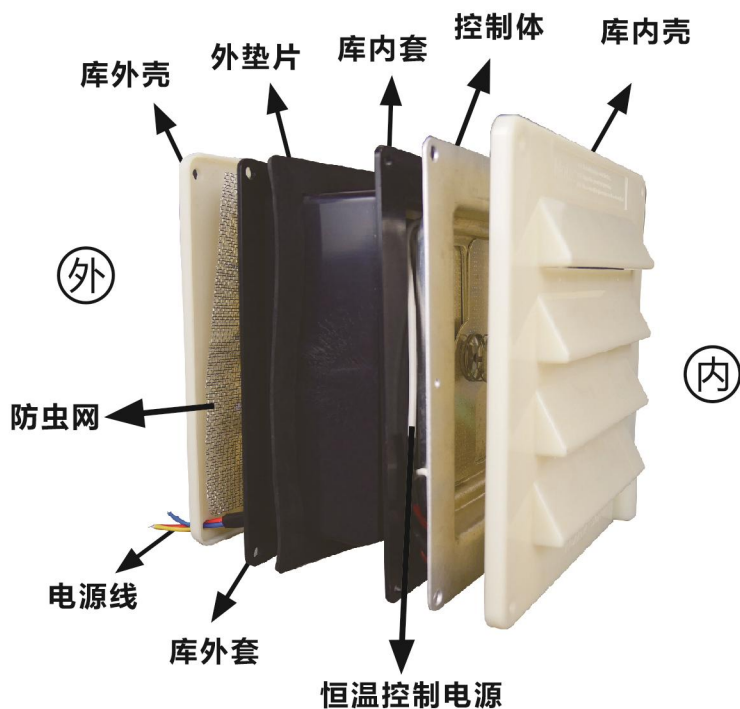
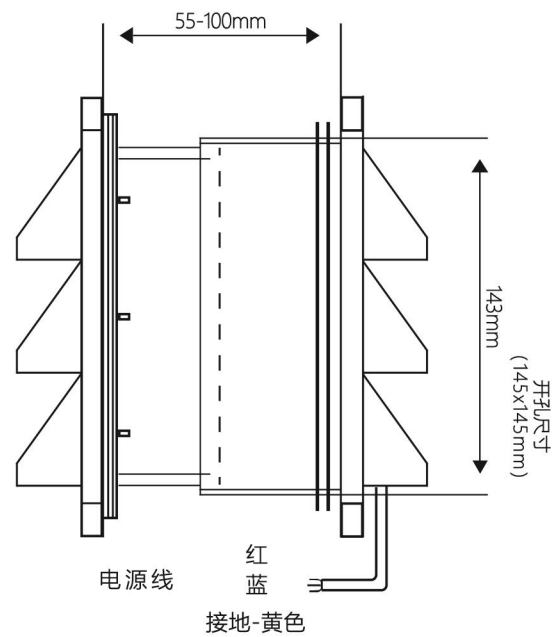
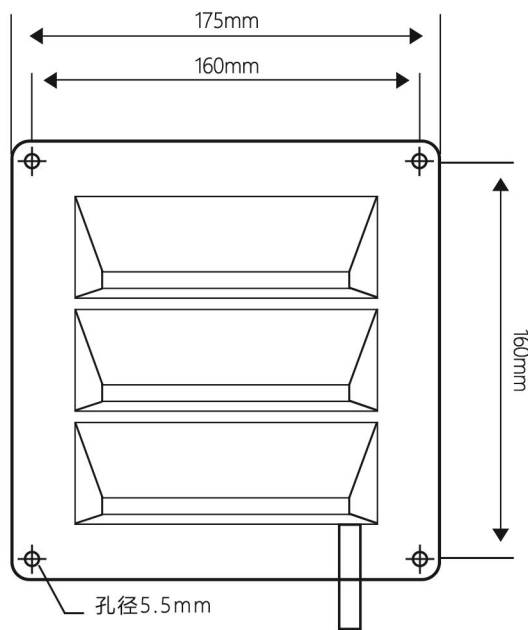


江苏智控电气设备有限公司

Jiangsu Zhikong Electrical Equipment Co., Ltd

# 压力平衡窗说明书

Manual of pressure balance window



自带恒温控制  
40℃启动加热  
70℃停止加热  
节能省电

## 安装注意事项

1. 安装时扇叶朝下，防虫网朝外，电源线接到库外。
2. 黄线为接地线，可以不接。
3. 0°C以上库可以不接电源线。
4. 低温库、速冻库一定要接电源，防止平衡窗内部上冻。
5. 建议开孔安装尺寸为145\*145MM。

## 平衡窗在冷库中的作用

冷库平衡窗是平衡冷库内外压力之用，确保库门自如开关，它的主要作用是当冷房在从高温降到低温时室内压力因空气冷却而降低，会导致冷库内因室外压力高导致冷房保温层内陷变形，除了会变形之外，还会因内外压力不等导致冷库门打开困难，安装平衡窗可以有效调节压力平衡。

## 冷库平衡窗安装方法

安装时在冷库温控板上打一个和平衡窗内径相等的窗口，取下平衡窗四周螺丝，放入平衡窗，安装上螺丝就OK了，如果是低温，还要接上电源，注意看是220V还是36V。安装位置一般是在冷库门1米范围内，一般在冷库门的右上角，因为他的作用主要是保持冷库门开关无压力差。

★注意：请安装漏电保护器、接地线。冷库停运时请关闭电源，可定做36V安全电压产品。

## Installation Precautions

1. When installing, the fan blade should face down, the insect-proof net should face outward, and the power cord should be connected to the outside of the warehouse.
2. The yellow wire is the ground wire and can not be connected. The library above
3. 0°C can not be connected to the power cord.
4. Low temperature storage and quick-frozen storage must be connected to the power supply to prevent freezing inside the balance window.
5. The recommended opening mounting size is 145\*145MM.

## The function of balance window in cold storage

Cold storage balance window is the equilibrium pressure inside and outside of refrigerator, ensure that the library door freely switch, its role is largely when cold room from high to low temperatures in indoor pressure reduced by air cooling, can lead to internal outdoor refrigerator insulation layer deformation and high pressure lead to cold room besides will deformation, also will open the door of cold storage caused by internal and external pressures ranging from difficult, install window of balance can effectively regulate the pressure balance. with

## Cold storage balance window installation method

Installation in the cold storage temperature control board on a balance window and the inner diameter of the same window, remove the balance window around the screw, into the balance window, install the screw on the OK, if it is low temperature, but also connected to the power supply, pay attention to see is 220V or 36V. The installation position is generally within 1 meters of the cold storage door, generally in the upper right corner of the cold storage door, because his role is mainly to keep the cold storage door switch without pressure difference.

★ Attention: Please install leakage protector and grounding wire. Please turn off the power when the cold storage is out of service, you can order 36V safe voltage products.